

P2K MODEL



SPECIFICATIONS: STANDARD P2K PUMPING SYSTEMS*

bore x stroke	in	1.25, 1.50 x 1.50	1.75 x 1.50	2.00 x 1.50
	(mm)	(32, 38 x 38)	(44.5 x 38)	(50.8 x 38)
Flow Rate	gpm	1.13 – 3.10	2.20 – 4.20	2.87– 5.53
	lpm	4.27 – 11.73	8.32 – 15.89	10.90 – 20.93
Pump Design Rating	hp	7.5 – 20	10 – 20	15 – 20
	kw	5.6 – 15	7.5 – 15	11.2 – 15
Maximum Discharge Pressure	psi	6,000	4,500	3,500
	bar	414	310	241
NPSPR	psi	2	2	2
	bar	0.14	0.14	0.14
Maximum Suction Pressure	psi	300	300	300
	bar	20.7	20.7	20.7

* Contact ACD for additional P2K pump ratings



FEATURES & BENEFITS

- Vertical pump installation eliminates gravitational loading on the piston, provides smoother suction valve operation, and makes for a more compact system footprint
- Motor positioned on the backside of the pumping skid, eliminates possible fire or an explosion or hazard in case of a liquid oxygen leak
- V-band clamp secures the sump to the intermediate allowing for quick and easy access to the cold end assembly
- Relubrication fittings for the roller bearings and crosshead provide extended service life
- Spring energized pushrod shaft seals are contained in cartridge housings for fast and easy replacement—takes about twenty minutes without removing the cold end
- Replaceable crosshead wearband eliminates crosshead piston wear and reduces maintenance costs
- Vacuum jacketed cold end minimizes heat leak to reduce product loss and increase system efficiency
- Pump assembly and spare parts are interchangeable with the PD3000 pump

APPLICATIONS

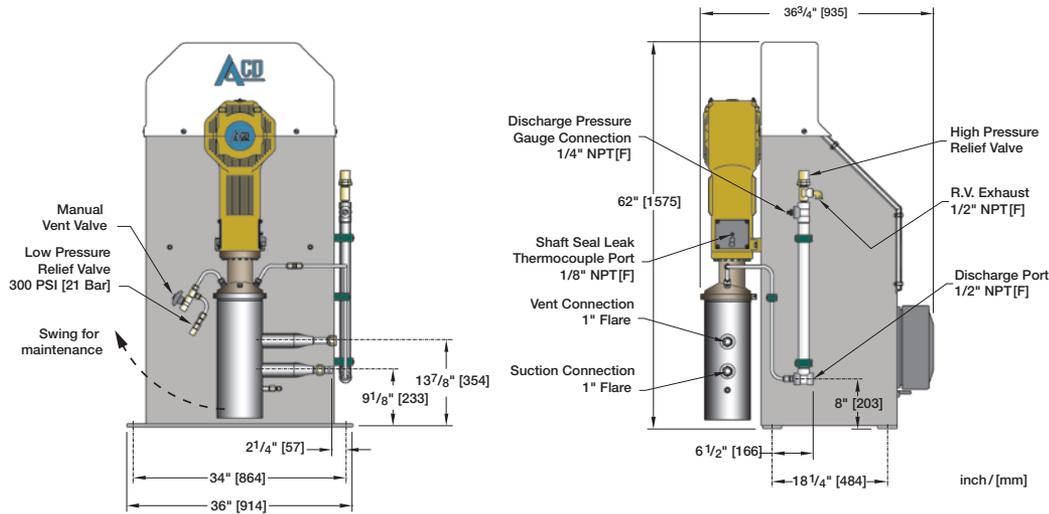
- Heavy duty cylinder filling pump
- Medium duty storage filling pump
- Unattended, automatic storage filling

LIQUIDS PUMPED

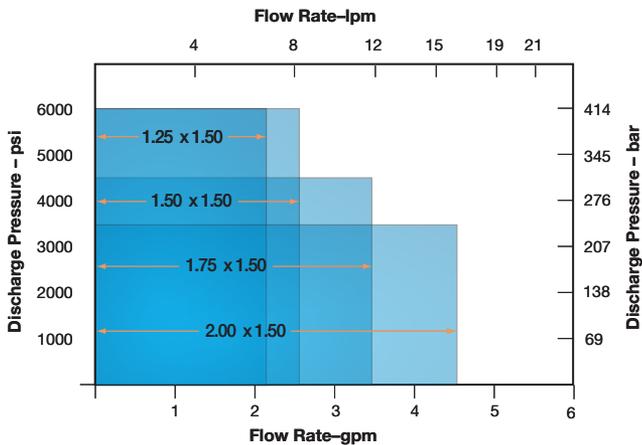
N₂, O₂, Ar, CO₂, Methane (LNG), Ethylene

P2K MODEL

OVERALL DIMENSIONS



PUMP PERFORMANCE MAP



Maximum Capacity Rating:

- 2.55 gpm (9.6 lpm) @ 6,000 psi (414 bar)
- 3.47 gpm (13.1 lpm) @ 4,500 psi (310 bar)
- 4.54 gpm (17.2 lpm) @ 3,500 psi (241 bar)

Lower flows are available by running the pump slower. Contact ACD Engineering for recommendations for flow/pressure specifications not listed.

TYPICAL SCOPE OF SUPPLY

- Grease lubricated drive assembly and vacuum jacketed cold end
- Electric motor with belt drive and guard
- Hot dipped galvanized steel skid frame
- Over pressure switch gauge (shipped loose)
- Control panel with combination motor starter and running time meter (shipped loose), relay logic
- Vent line with manual valve and low pressure relief valve
- Monel suction strainer
- High pressure relief valve with discharge line and surge chamber

OPTIONAL ACCESSORIES

- PLC control panel
- Automatic control panel
- Loss of prime detector
- Discharge check valve
- Cavitation detector
- Shaft seal leak detector
- Flex sections for suction and tank return lines
- Cool down temperature detector
- Auto unloader valve
- Extended cool down lock-up
- Drive purge
- ASME high pressure relief valve
- Monel cold end - for 4,500+ psig oxygen

MANUFACTURING



2321 S. Pullman Street
Santa Ana, CA 92705 USA
Tel 800.525.4216 (USA only)
Tel +1.949.261.7533
Fax +1.949.261.6285
acd@acdllc.com • acdllc.com



Gutenbergstrasse 1
CH-4142 Muenchenstein Switzerland
Tel: +41.61.413.0230
Fax: +41.61.413.0233
sales@acderyo.com • acderyo.com

GLOBAL SERVICE

NORTH AMERICA

Atlanta
Atlanta, Georgia, USA
+1 404.696.8113 • Fax +1 404.696.8116
sales@cryoatlanta.com • cryoindservice.com

California
Santa Ana, California, USA
+1 949.724.8636 • Fax +1 714.641.1921
sales@cryocal.com • cryoindservice.com

Houston
Houston, Texas, USA
+1 281.590.4800 • Fax +1 281.590.4801
sales@cihoustan.com • cryoindservice.com

Pittsburgh
Imperial, Pennsylvania, USA
+1 724.695.1910 • Fax +1 724.695.1926
pittcryo@pittcryogenic.com • cryoindservice.com

Red Deer
Red Deer, Alberta, Canada
+1.403.352.4436 • Fax +1.403.352.4439
sales@cryocanada.com • cryoindservice.com

Toronto
Toronto, Ontario, Canada
+1 416.502.1950 • Fax +1 416.502.1952
info@cryocanada.com • cryoindservice.com

INTERNATIONAL

Australia
Dandenong, Victoria, Australia
+61.3.9791.7888 • Fax +61.3.9769.2788
sales.au@cryoquip.com • cryoquip.com

Brasil
São Paulo - SP, Brasil
+55 11 2341.7474
sales.br@cryoind.com • cryoind.com

China
Hangzhou, China
+86.571.8869.0788 • Fax +86.571.8869.0715
hci@mail.hz.zj.cn • cryoind.com

Europe
D-79415 Bad Bellingen Germany
+49.7635.8105.0 • Fax: +49.7635.8965
info@acderyo.com • acderyo.com

India
Vadodara, Gujarat, India
+91.265.283 0113 • Fax +91.265.283 0112
npatel@acdllc.com • acdcom.com

Korea
Yongin-si, Gyeonggi-do, Korea
+82.31.286.6114 • Fax +82.31.286.6118
info@ci-korea.co.kr • ci-korea.co.kr

Malaysia
Shah Alam, Selangor D.Ehsan, Malaysia
+603.5740.8770 • Fax +603.5740.8775
sales@cimalaysia.com • cimalaysia.com